

TRANSPORT TROLLEY VARIO HEAVY

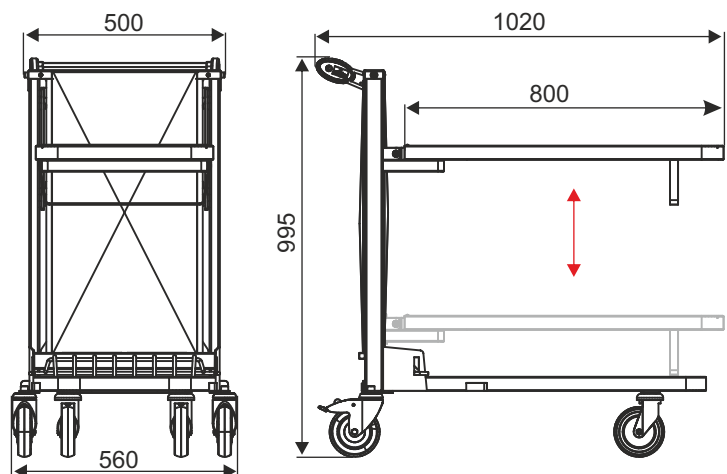
NEW!



TYPE	Vario Heavy
TOTAL LOADING	200 kg
WHEEL DIAMETER	125 mm
NESTING DISTANCE	300 mm

The automatically lowering shelf as the load increases and the possibility of folding it increases the loading comfort and allows for ergonomic use of the loading area of the trolley. The trolley has 4 swivel castors, including 2 with a brake.

Standard finish:
zinc plated+lacquer.



PRODUCT NAME	FINISH	INDEX
Transport trolley Vario Heavy	zinc plated+lacquer	919-351-423

W3 TRANSPORT TROLLEYS