

## TRANSPORT TROLLEY CARRY 80

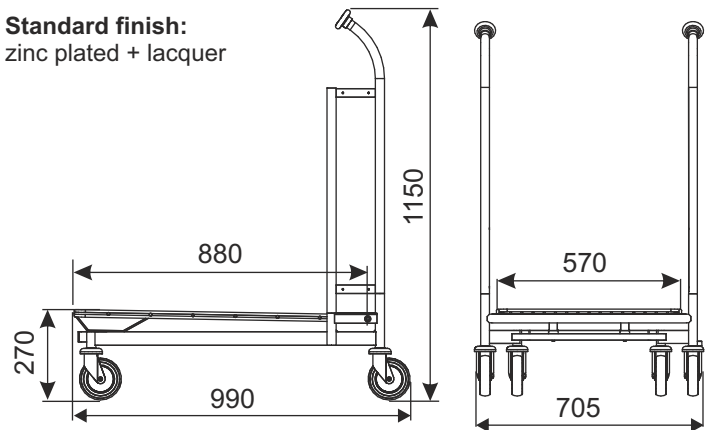


### Trolley is available in the option:

- with the wire platform,
- with full platform ( platform of plywood, anti-slip, waterproof, double-sided foiled).

TYPE	Carry 80
LOADING	300 kg
WHEEL DIAMETER	125 mm
NESTING DISTANCE	285 mm

Standard finish:  
zinc plated + lacquer



### ADDITIONAL EQUIPMENT:

In the standard version shopping trolley has standard wheels. Optional accessories (inter alia wheels with brake, coin lock, logo and other accessories) require separate arrangements.

PRODUCT NAME	FINISH	INDEX
Transport trolley Carry 80	zinc plated +lacquer	919-350-798

## W3 TRANSPORT TROLLEYS