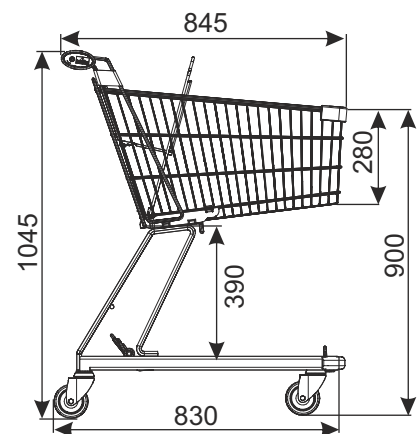


SHOPPING TROLLEY CLASSIC 90



TYPE	Classic 90
BASKET CAPACITY	85 l
LOADING	125 kg
WHEEL DIAMETER	100 mm (optionally 125 mm)
FINISH	zinc plated + thermal setting lacquer
NESTING DISTANCE	180 mm

In the standard version shopping trolley has standard wheels. Optional accessories (inter alia wheels for travelator or with brake, coin lock, the logo and other accessories) require separate arrangements.



PRODUCT NAME	FINISH	INDEX
Shopping trolley Classic 90 with toddler seat	zinc plated + lacquer	919-350-718

W1 SHOPPING TROLLEYS