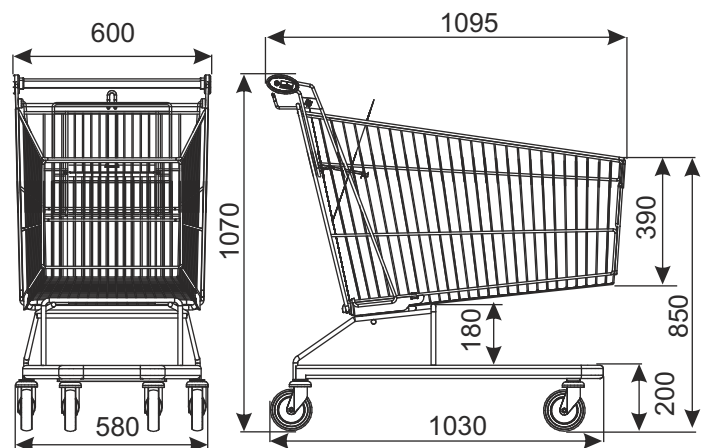


SHOPPING TROLLEY CLASSIC 210A



TYPE	Classic 210A
BASKET CAPACITY	203 l
LOADING	203 kg
WHEEL DIAMETER	125 mm
FINISH	zinc plated + thermal setting lacquer
NESTING DISTANCE	250 mm



In the standard version shopping trolley has standard wheels. Optional accessories (inter alia wheels for travelator or with brake, coin lock, the logo and other accessories) require separate arrangements.
Note: If you use wheels for travelator, maximum loading of the trolley is 130 kg.

PRODUCT NAME	FINISH	INDEX
Shopping trolley Classic 210A with toddler seat	zinc plated + lacquer	919-350-904

W1 SHOPPING TROLLEYS