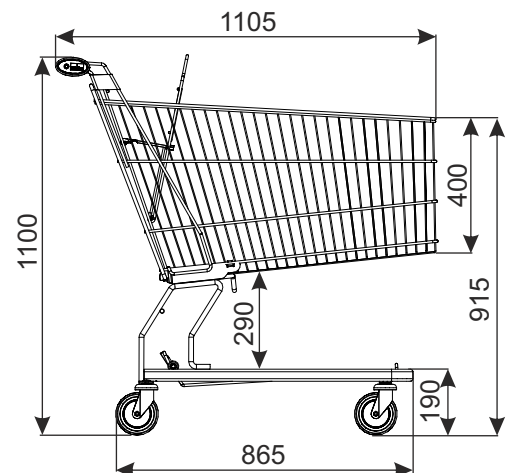


## SHOPPING TROLLEY CLASSIC 180K



<b>TYPE</b>	Classic 180K
<b>BASKET CAPACITY</b>	180 l
<b>LOADING</b>	230 kg
<b>WHEEL DIAMETER</b>	125 mm
<b>FINISH</b>	zinc plated + thermal setting lacquer
<b>NESTING DISTANCE</b>	220 mm



In the standard version shopping trolley has standard wheels. Optional accessories (inter alia wheels for travelator or with brake, coin lock, the logo and other accessories) require separate arrangements.  
Note: If you use wheels for travelator, maximum loading of the trolley is 130 kg.

PRODUCT NAME	FINISH	INDEX
Shopping trolley Classic 180K	zinc plated + lacquer	919-351-185

### W1 SHOPPING TROLLEYS