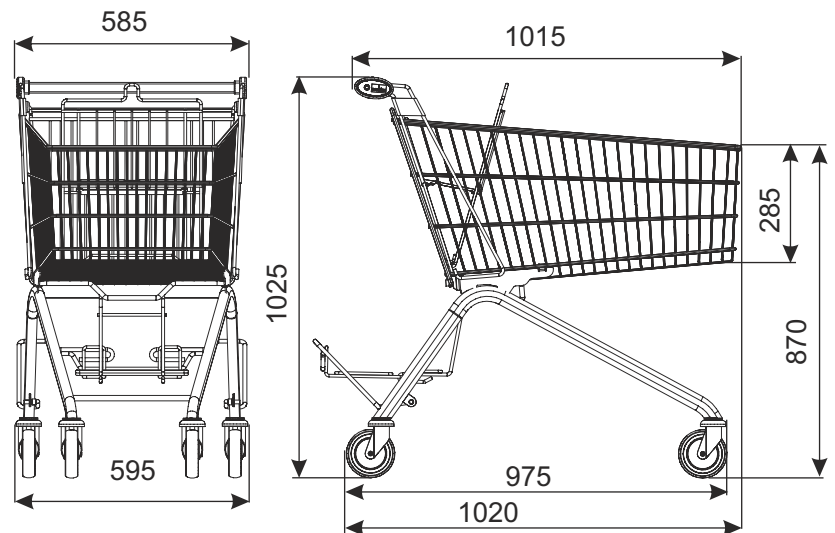


SHOPPING TROLLEY AVANT 130P



TYPE	Avant 130P
BASKET CAPACITY	130 l
LOADING OF THE SHELF FOR MULTI-PACK	30 kg
LOADING	160 kg
WHEEL DIAMETER	125 mm
FINISH	zinc plated + thermal setting lacquer
NESTING DISTANCE	210 mm



In the standard version shopping trolley has standard wheels. Optional accessories (inter alia wheels for travelator or with brake, coin lock, the logo and other accessories) require separate arrangements.

Note: If you use wheels for travelator, maximum loading of the trolley is 130 kg.

PRODUCT NAME	FINISH	INDEX
Shopping trolley Avant 130P with toddler seat	zinc plated + lacquer	_____

W1 SHOPPING TROLLEYS