

## TIGHT PARTITION WITH THE FULL BOTTOM



Tight partition with the full bottom is designed to organize the shops open space.

### Realization

Elements:

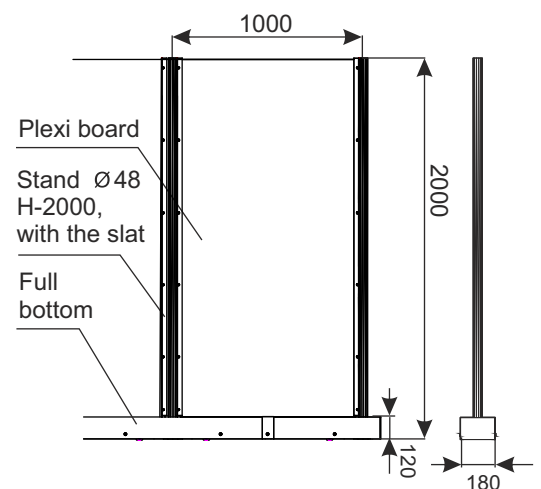
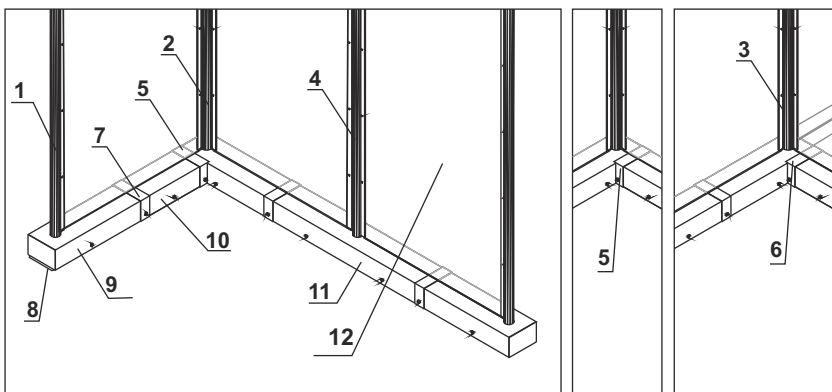
- transparent board made of non-flammable polycarbonate, 5 mm thick, dimensions 926x1878 mm,
  - stand H-2000 mm  $\varnothing 48 \times 2,0$  with a slat,
  - elements of the stand (base, cap, connector)
- Partition is fixed to the ground with anchor.

### Dimensions:

Partition's height - 2000 mm,  
Spacing on stands - 1000 mm

### Finish:

Stand and the slat - chrome,  
Base - electroplated with zinc.



| NAZWA ELEMENTU WYGRODZENIA                  | FINISH                | INDEX             |
|---|-----------------------|-------------------|
| 1. Finishing stand                          | chrome                | 919-320-548       |
| 2. Corner stand                             | chrome                | 919-320-549       |
| 3. Middle corner stand                      | chrome                | 919-320-552       |
| 4. Middle stand                             | chrome                | 919-320-547       |
| 5. Corner connector                         | zinc plated + lacquer | 919-320-870       |
| 6. Middle corner connector                  | zinc plated + lacquer | 919-320-869       |
| 7. Middle connector                         | zinc plated + lacquer | 919-320-864       |
| 8. Base                                     | zinc plated + lacquer | 919-320-860       |
| 9. Finish cap                               | zinc plated + lacquer | 919-320-863       |
| 10. Short cap                               | zinc plated + lacquer | 919-320-862       |
| 11. Middle cap                              | zinc plated + lacquer | 919-320-861       |
| 12. Board made of polycarbonate 926x1878 mm | _____                 | PL_5,0X926X1878-P |

## S CUSTOMER GUIDANCE SYSTEMS