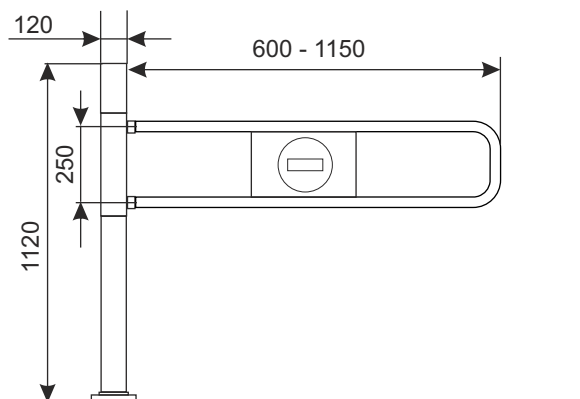


ELECTRONIC ENTRANCE GATE PORTA'E INFRA



An electronic gate Porta'e Infra is steering by photoelectric cell without lighting. Gate can be available in two option: right or left - opens in right side or left side. The gate opens automatically in the direction of entry as you approach it. The gate closes also automatically.

Installed "anty-panic" system prevents from opening a gate in opposite direction. This system allows you to open an emergency gate at the appropriate pressure despite the blockade. Gateway fixed to the ground.

PRODUCT NAME	FINISH	INDEX
Electronic entrance gate Porta'e Infra	chrome	07A004

S CUSTOMER GUIDANCE SYSTEMS