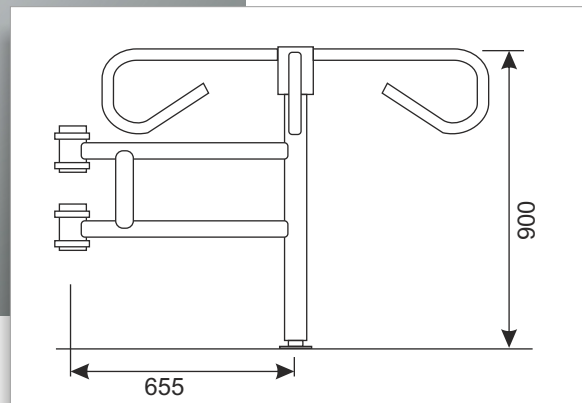
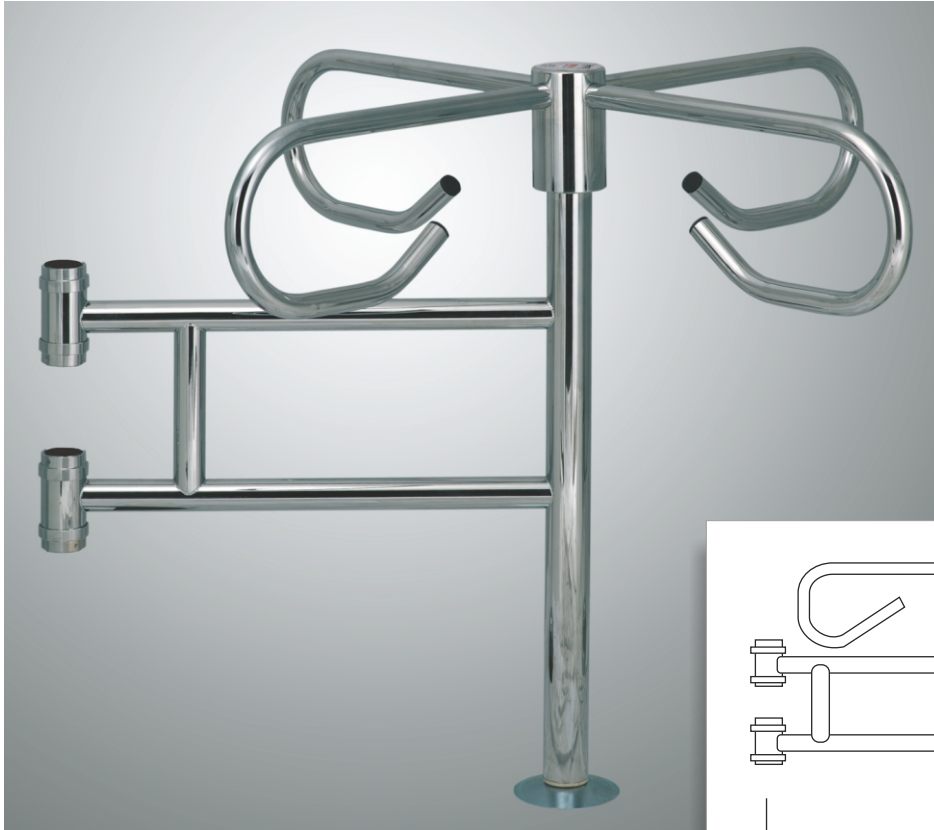
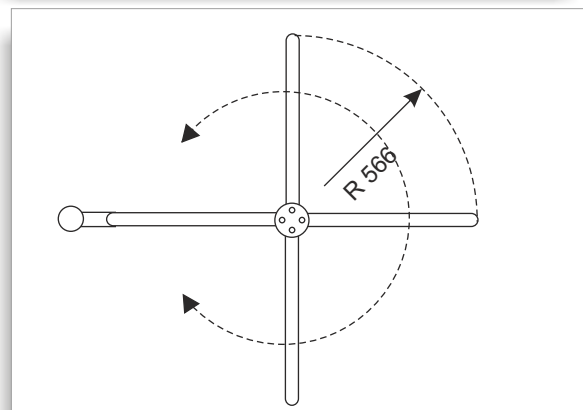
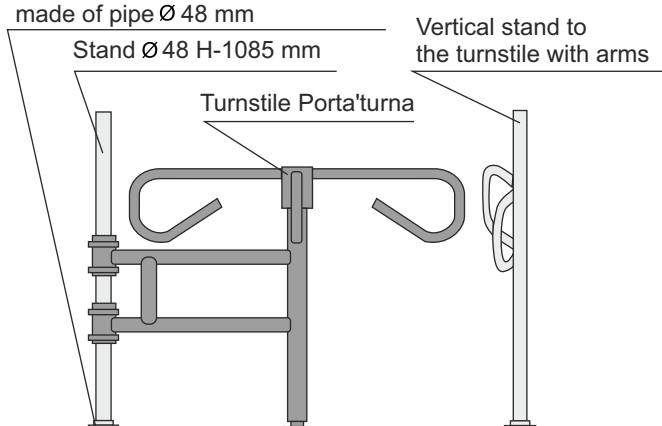


## TURNSTILE PORTA'TURNA



### DIAGRAM OF ASSEMBLY OF THE TURNSTILE WITH OTHER ELEMENTS :

Bottom cover for stand  
made of pipe  $\varnothing 48$  mm



PRODUCT NAME	FINISH	INDEX
Turnstile Porta'turna (left or right)	chrome	07A0016
ELEMENTS MOUNTED WITH THE TURNSTILE	FINISH	INDEX
Vertical stand to the turnstile with arms	chrome	919-320-518
Stand $\varnothing 48$ H-1085 mm	chrome	919-320-408
Bottom cover for stand made of pipe $\varnothing 48$ mm	chrome	919-320-511

### S CUSTOMER GUIDANCE SYSTEMS