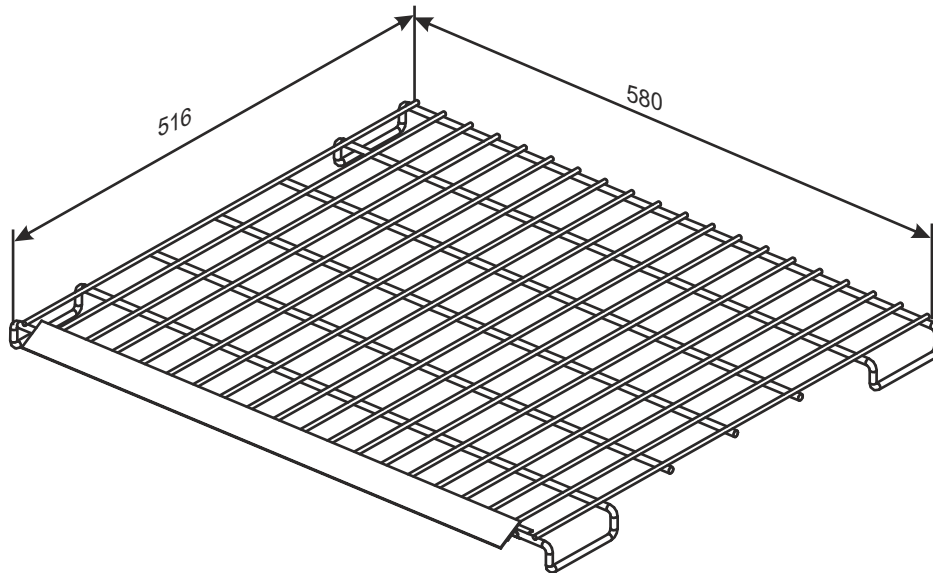


## THE BOTTOM SHELF TO THE DISPLAY TABLE 600X600



The bottom shelf can be assembled to the display table to provide an additional surface to sell or storage goods. It can be assemble to the table base. There is a price strip on the one side of the shelf.

**Standard finish:** zinc plated + lacquer or bright chrome.

**Technical data:** shelf made of wire, in front of the table there is a clamping, made of metal plate, to the price strip.

**Maximum loading:** ca 25 kg (with equable spreading of the goods).



The bottom shelf belongs to the additional equipment and it's adapted to assembly to display table 600x600.

PRODUCT NAME	FINISH	INDEX
The bottom shelf to the display table 600x600	bright chrome	919-320-534
The bottom shelf to the display table 600x600	zinc plated + lacquer	—

### E1 DISPLAY TABLES, WIRE BASKETS